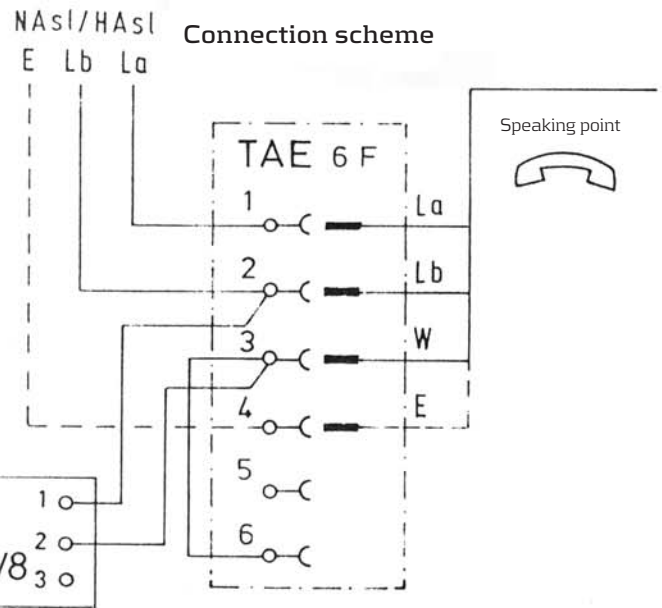
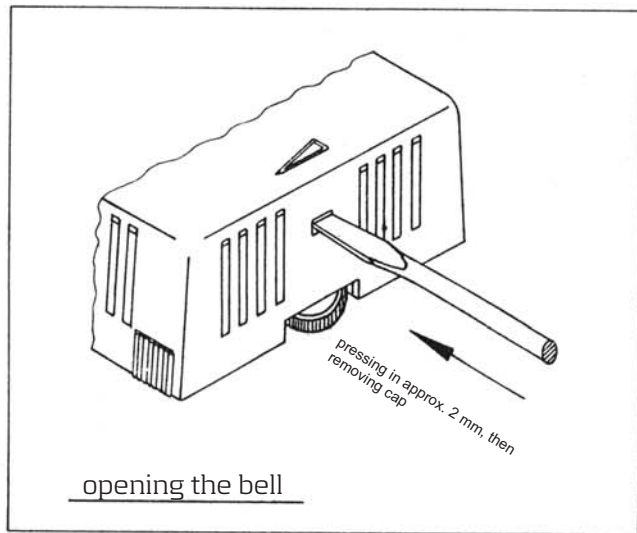


Note on connection
Ringing current - internal bell
WK 952

for a.c. voltage 50 V 25 / 50 Hz



General: The a.c. bell WK 952/8 is intended for additional signalling of an incoming call at a connection line and is to be connected 2-wire at the connecting terminals of the TAE socket.

60124/6 Ausg. 2